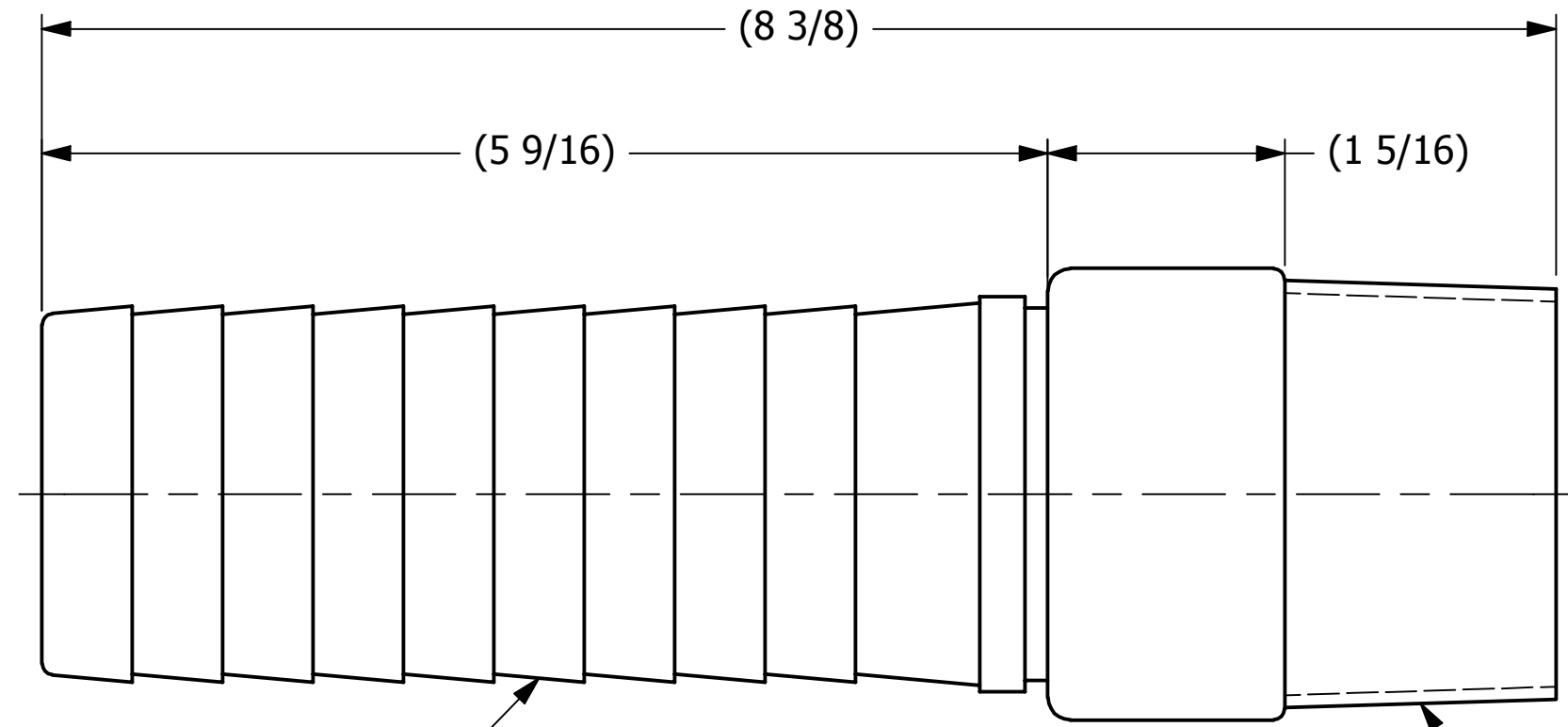
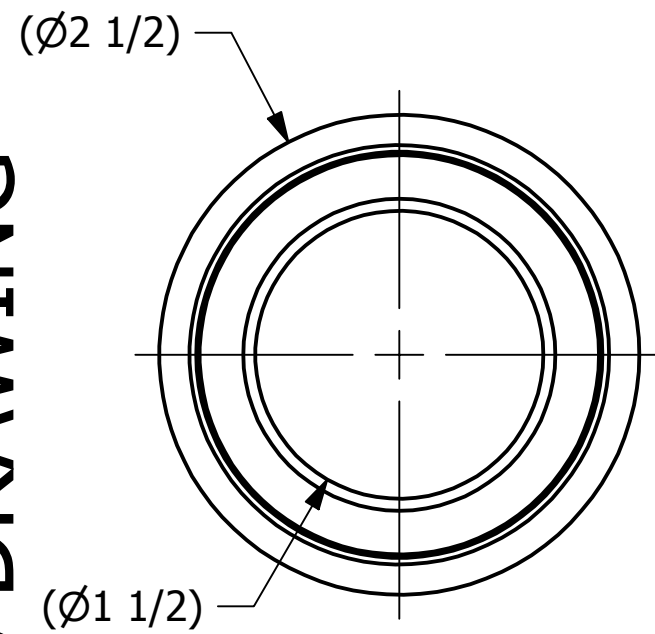


SALES DRAWING

SALES DRAWING



2" HOSE BARB

2" NPT

REV	BY	DATE	DESCRIPTION
C	VD	09-21-10	ADDED BOM AND GROOVE
B	VD	10-28-04	UPDATED DESCRIPTION AND NOTE
A	ACC	12-17-03	ADDED PART INTO THE SYSTEM

UNLESS OTHERWISE SPECIFIED DIMENSIONAL TOLERANCES	DRAWN BY:	ACC
FRACTIONAL: ±1/16	CHECKED BY:	RB
X.XX: ±.03	PROTOTYPE BY:	ACC
X.XXX: ±.015	PROTOTYPE DATE:	12/17/2003
ANGULAR: ±1°	APPROVED FOR PRODUCTION BY:	
THIS PRINT, PROPERTY OF SALCO PRODUCTS INC., CONTAINS PROPRIETARY INFORMATION AND MUST NOT BE COPIED, REPRODUCED, OR USED DETRIMENTALLY TO OUR INTEREST.	PRODUCTION DATE:	
THIRD ANGLE PROJECTION 		

Hazarsolve® Corp
A DIVISION OF SALCO PRODUCTS

PART NAME: HOSE BARB 2"

MATERIAL: GRAY PVC

PROJECT #: 030708 SHEET #: 1 OF 1 SCALE: 1:1

DRAWING #: B18647 PART #: HS2PVCKC

B

B

A

A

4

3

2

1

4

3

2

1